

LEGEND			
BANKING		SLOPING MASONRY	
BUSHES & HEDGES		STILE	
MARSH		WALL	
TREES		BUILDING	
NOTE:- SPREADS AND HEIGHTS ARE INDICATIVE ONLY			
GATES		GLASS ROOFED	
RETAINING WALL		CONTOURS	
ABBREVIATIONS (WHERE APPLICABLE)			
AIR VALVE	AV	LETTER BOX	LB
BED LEVEL	BL	MANHOLE	MH
BELISHA BEACON	BB	MARKER	MKR
BOLLARD	B	NOTICE BOARD	NB
BRITISH TELECOM BOX	BTB	NAME PLATE	NP
BRITISH TELECOM MANHOLE	BTMH	OVERHEAD WIRES	OHW
BRICKWORK	BKWK	PARKING METER	PM
BUS STOP	BS	RIDGE LEVEL	RID
CABLE TV	CATV	ROAD SIGN	RS
COVER LEVEL	CL	RODDING EYE	RE
CABLE MARKER	CM	RETAINING WALL	RTW
CONCRETE POST	CP	SPLICED VALVE	SV
DOWN PIPE	DP	STOP COCK	SC
EAVES LEVEL	EAV	SOFFIT LEVEL	SOF
ELECTRICITY CABLE PIT	ELCP	STRUCTURAL SLAB LEVEL	SSL
ELECTRICITY CONTROL BOX	ECB	TREE STUMP	ST
ELECTRICITY POLE	EP	TELEGRAPH POLE	TP
EARTH ROD	ER	TELEPHONE CALL BOX	TCB
FIRE HYDRANT	FH	TOP OF KERB	TK
FLOWER BED	FB	TURNSTILE	TS
FOOTPATH	FP	TRAFFIC LIGHT	TL
FLOOR LEVEL	FL	TOP OF WALL	TW
FLAG STAFF	FS	UNDERGROUND	UG
GAS VALVE	GV	UNABLE TO LIFT	UTL
GULLY	G	UNABLE TO SURVEY	UTS
GULLY OUTLET	GO	VENT PIPE	VP
GATE STOP	GS	WATER METER	WM
INSPECTION COVER	IC	WATER LEVEL	WL
INVERT LEVEL	IL	WASH OUT	WO
LAMP POST	LP	WASTE PIPE	WP
BUILDING			
ACCESS HATCH	AH	WINDOW CILL LEVEL	WCL
ARCH HEAD HEIGHT	AHH	WINDOW HEAD LEVEL	WHL
ARCH HEAD LEVEL	AHL	STRUCTURAL CEILING HEIGHT	SC ²
ACCESS PANEL	AP	SKYLIGHT	SL
ARCH SPRINGER HEIGHT	ASH	SOIL AND VENT PIPE	SOVP
ARCH SPRINGER LEVEL	ASL	VENTILATION	VT
BEAM	BE	WASH BASIN	WB
BEAM HEIGHT	BH	WATER TANK	WT
BEAM HEAD LEVEL	BHL	FENCES	
BEAM SOFFIT LEVEL	BSL	BARBED WIRE FENCE	BWFF
COLUMN	Col	CORRUGATED IRON FENCE	CIF
CILL TO HEAD	C-H	CLOSE BOARD FENCE	CBF
CEILING LEVEL	CL	CHAIN LINK FENCE	CLF
DOOR HEAD	DH	CHESTNUT PALING FENCE	CPF
DOOR HEAD LEVEL	DHL	FENCE POST	FPO
FIRE ALARM	FA	INTERWOVEN FENCE	IWF
FLOOR TO CILL	F-C	IRON RAILING FENCE	IRF
FALSE CEILING	FC	LARCH LAP FENCE	LLF
FLOOR TO CEILING HEIGHT	F ² C	MISCELLANEOUS FENCING	Misc.F
HOSE REEL	HR	POST AND CHAIN FENCE	PCF
LOW LEVEL WALL	LLW	POST AND RAIL FENCE	PRF
POST AND RAIL FENCE	PRF	POST AND WIRE	PWF
RADIATOR	Rad	TUBULAR STEEL RAIL	TSRF
RAIN WATER PIPE	RWP		

REV.	NOTES	DWN	DATE

Certificate Number: GB 6562

A MEMBER OF THE SURVEY ASSOCIATION

Certificate Number: GB 11414

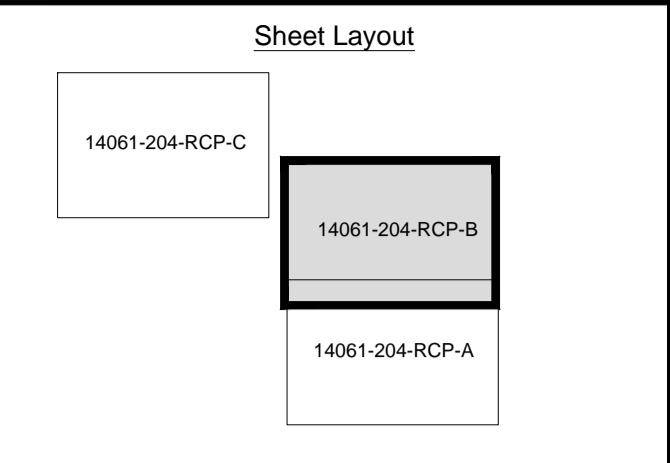
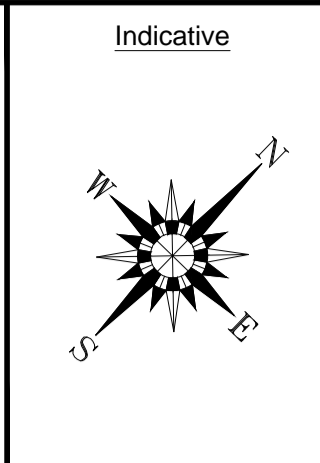
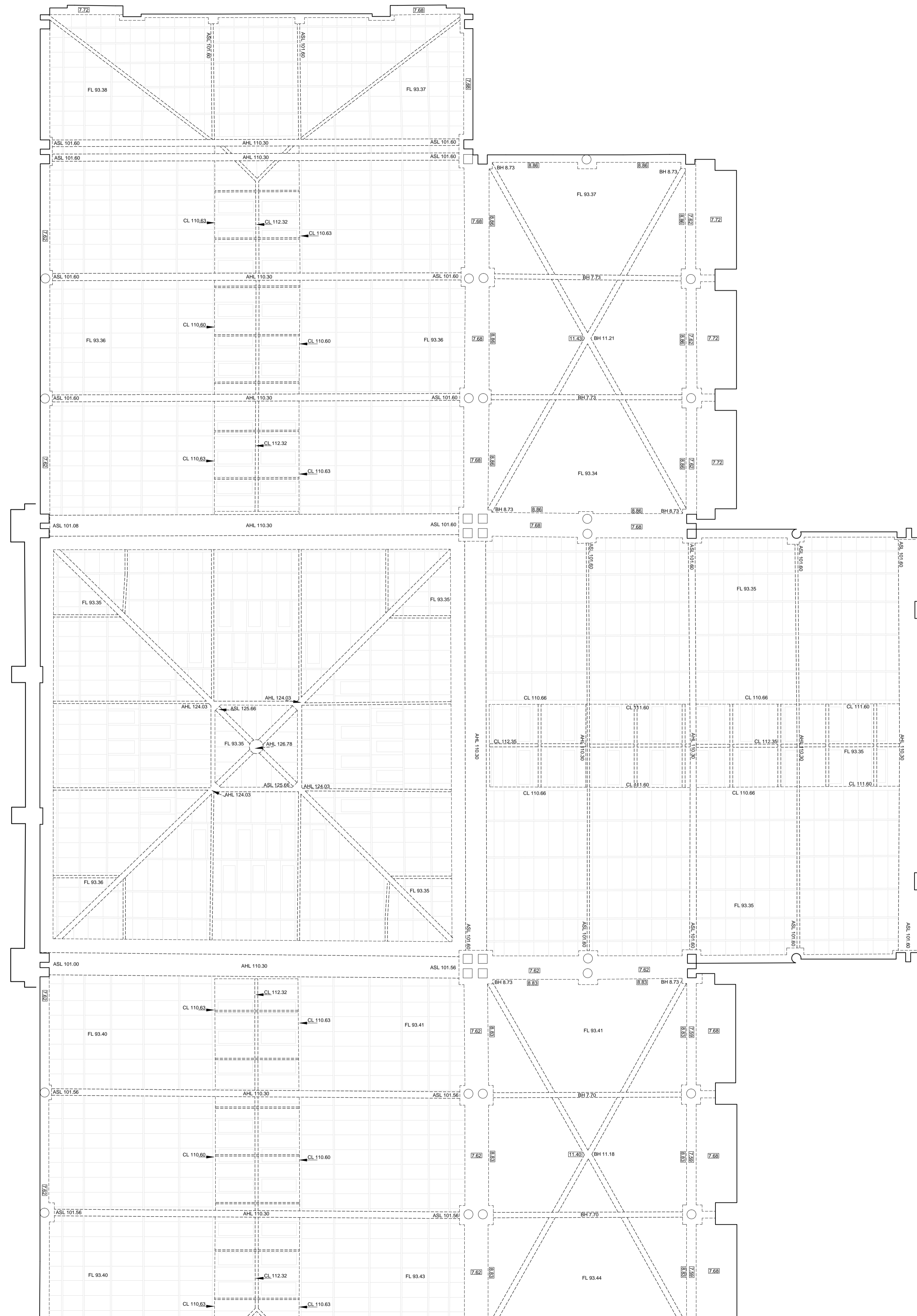
Notes:
 All levels relate to OS GPS Active Network.
 Grid is arbitrary.
 See MODEL Space for information on transformation to O.S

Maltby Land Surveys Ltd

2 QUEENS ROAD
 HAYWARDS HEATH
 WEST SUSSEX
 RH16 1EB
 Tel: 01444 416246
 Fax: 01444 417097
 E-Mail: mis@maltbysurveys.com
 WebSite: <http://www.maltbysurveys.com>

SURVEYED	MT	SCALE 1/100 (A1 Sheet)
DRAWN	MT	
CHECKED	AKM	

EAST COURT CEILING PLAN		
Job No	Rev	Drawing Number
14/061		14/061/204-RCP-A
Date :	July 2014	



LEGEND	
BANKING	Top Bottom
BUSHES & HEDGES	
MARSH	
TREES	3T / 0.2 / 6 Head of Tree Stem Base of Tree Height of Tree
GATES	Single Double
RETAINING WALL	RTW
CONTOURS	25.00
SLOPING MASONRY	
STILE	
WALL	Width shown to scale
BUILDING	
OPEN SIDED BUILDING	
GLASS ROOFED	

NOTE:-
SPREADS AND HEIGHTS ARE INDICATIVE ONLY

ABBREVIATIONS (WHERE APPLICABLE)		
AIR VALVE	AV	LETTER BOX
BED LEVEL	BL	MANHOLE
BELISHA BEACON	BB	MARKER
BOLLARD	B	NOTICE BOARD
BRITISH TELECOM BOX	BTB	NAME PLATE
BRITISH TELECOM MANHOLE	BTMH	OVERHEAD WIRES
BRICKWORK	BKWK	PARKING METER
BUS STOP	BS	RIDGE LEVEL
CABLE TV	CATV	ROAD SIGN
COVER LEVEL	CL	RODDING EYE
CABLE MARKER	CM	RETAINING WALL
CONCRETE POST	CP	SLUICE VALVE
DOWN PIPE	DP	STOP COCK
EAVES LEVEL	EAV	SOFFIT LEVEL
ELECTRICITY CABLE PIT	ELCP	STRUCTURAL SLAB LEVEL
ELECTRICITY CONTROL BOX	ECB	TREE STUMP
ELECTRICITY POLE	EP	TELEGRAPH POLE
EARTH ROD	ER	TELEPHONE CALL BOX
FIRE HYDRANT	FH	TOP OF KERB
FLOWER BED	FB	TURNSTILE
FOOTPATH	FP	TRAFFIC LIGHT
FLOOR LEVEL	FL	TOP OF WALL
FLAG STAFF	FS	UNDERGROUND
GAS VALVE	GV	UNABLE TO LIFT
GULLY	G	UNABLE TO SURVEY
GULLY OUTLET	GO	VENT PIPE
GATE STOP	GS	WATER METER
INSPECTION COVER	IC	WATER LEVEL
INVERT LEVEL	IL	WASH OUT
LAMP POST	LP	WASTE PIPE
BUILDING		BUILDING
ACCESS HATCH	AH	WINDOW CILL LEVEL
ARCH HEAD HEIGHT	AHH	WINDOW HEAD LEVEL
ARCH HEAD LEVEL	AHL	STRUCTURAL CEILING HEIGHT
ACCESS PANEL	AP	SKYLIGHT
ARCH SPRINGER HEIGHT	ASH	SOIL AND VENT PIPE
ARCH SPRINGER LEVEL	ASL	VENTILATION
BEAM	BE	WASH BASIN
BEAM HEIGHT	BH	WATER TANK
BEAM HEAD LEVEL	BHL	
BEAM SOFFIT LEVEL	BSL	FENCES
COLUMN	Col	BARBED WIRE FENCE
CILL TO HEAD	C-H	CORRUGATED IRON FENCE
CEILING LEVEL	CL	CLOSE BOARD FENCE
DOOR HEAD	DH	CHAIN LINK FENCE
DOOR HEAD LEVEL	DHL	CHESTNUT PALING FENCE
FIRE ALARM	FA	FENCE POST
FLOOR TO CILL	F-C	INTERWOVEN FENCE
FALSE CEILING	FC	IRON RAILING FENCE
FLOOR TO CEILING HEIGHT	[1234]	LARCH LAP FENCE
HOSE REEL	HR	MISCELLANEOUS FENCING
LOW LEVEL WALL	LLW	POST AND CHAIN FENCE
ROOF LEVEL	RL	POST AND RAIL FENCE
RADIATOR	Rad	POST AND WIRE
RAIN WATER PIPE	RWP	TUBULAR STEEL RAIL

REV.	NOTES	DWN	DATE

Certificate Number: GB 6562

A MEMBER OF THE SURVEY ASSOCIATION

Certificate Number: GB 11414

Notes:

All levels relate to OS GPS Active Network.
 Grid is arbitrary.
 See MODEL Space for information on transformation to O.S

Maltby Land Surveys Ltd

2 QUEENS ROAD
 HAYWARDS HEATH
 WEST SUSSEX
 RH16 1EB
 Tel: 01444 416246
 Fax: 01444 417097
 E-Mail: ms@maltbysurveys.com
 WebSite: http://www.maltbysurveys.com

SURVEYED	MT	SCALE 1/100 (A1 Sheet)
DRAWN	MT	
CHECKED	AKM	

EAST COURT CEILING PLAN		
Job No	Rev	Drawing Number
14/061		14/061/204-RCP-B
Date : July 2014		

